

LTH-M201-C

Video Intercom Module Door Station

Key Feature

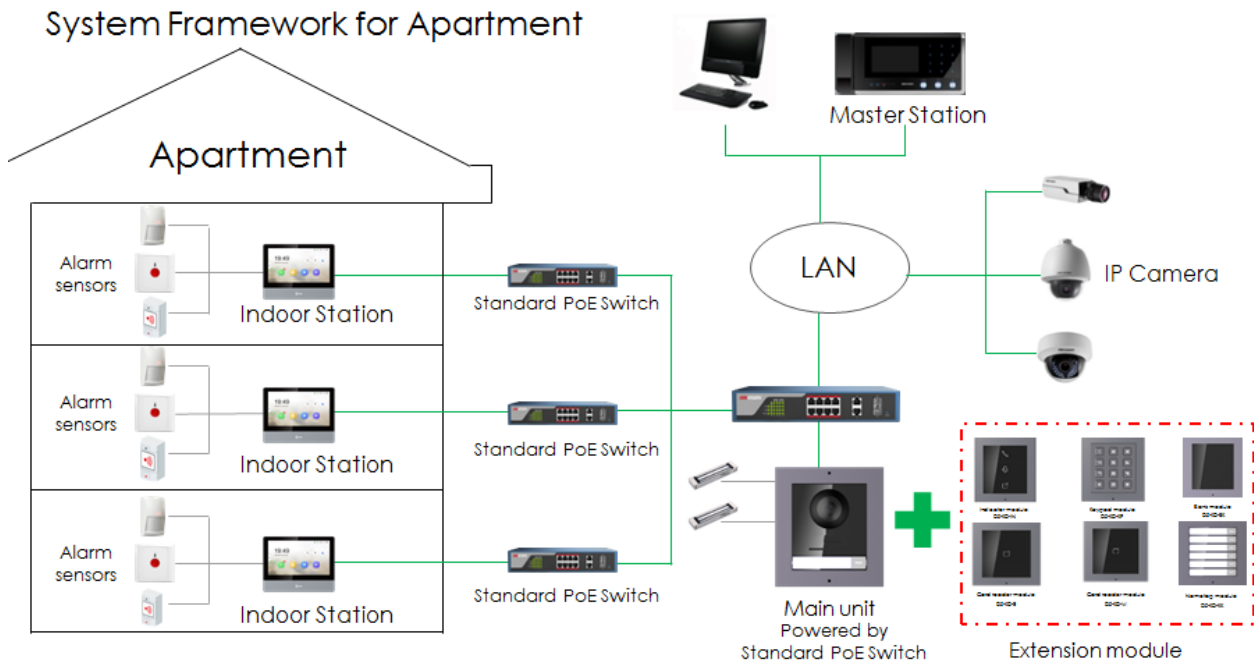
- 2 MP HD video intercom function
- Access control function
- Noise suppression and echo cancellation
- H.264 video compression
- Low illumination
- Tampering alarm supported
- Fisheye camera with IR supplement light
- Supports sub-modules' access (max. 8)
- Nametag customization
- Easy to and extend



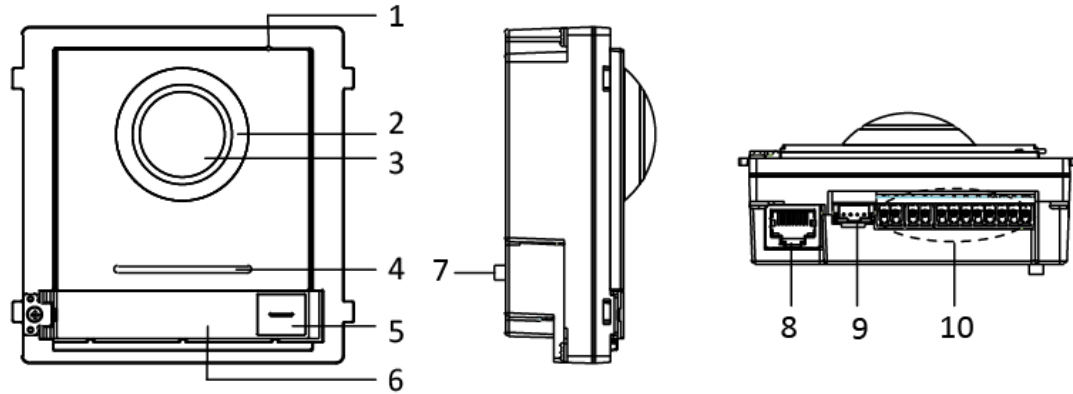
Specification

Model		LTH-M201-C
System parameters	Processor	Embedded MCU Processor
	Operation system	Embedded Linux Operation System
	Operation method	Physical Button
Video parameters	Camera	Low Illumination 2 MP HD IR Camera
	Video compression standard	H.264
	Resolution	Main Stream: 1920 × 1080 Sub Stream: 720 × 480
	BLC	Supported
	DNR	Supported
	WDR	Supported
	Anti-flicker	50 Hz, 60 Hz
	Field of View	Horizontal: 180° Vertical: 96°
Audio parameters	Audio input	Built-in Omnidirectional Microphone
	Audio output	Built-in Loudspeaker(More than 85 dB within 20 cm)
	Audio compression standard	G.711 U
	Audio compression rate	64 Kbps
	Audio quality	Noise Suppression and Echo Cancellation
Light supplement	Light supplement mode	IR Supplement
Network parameters	Ethernet	10/100 Mbps Self-Adaptive Ethernet
	Network protocol	TCP/IP, RTSP
Alarm parameters	Tampering alarm	1
Interfaces	Module-connecting	1
	I/O input	4
	Debug	1
	Relay	2 (30 V, 1 A)
General	Physical button	1
	Power Supply	12 VDC/PoE (IEEE 802.3af)
	Power consumption	≤10 W
	Working temperature	-40° C to +60° C (-40° F to 140° F)
	Working humidity	10% to 95%
	IP protection level	IP65
	Installation	Flush Mounting, Surface Mounting
	Dimensions (L × W × H)	98 mm × 99.8 mm × 43.9 mm (3.86" × 3.93" × 1.73")

Typical Application



Appearance and Interface



No.	Description	No.	Description
1	Microphone	6	Nametag
2	Low Illumination IR Supplement Light	7	TAMPER
3	Built-in Camera	8	Network Interface
4	Loudspeaker	9	Module-connecting Interface(output)
5	Call Button	10	Terminals